

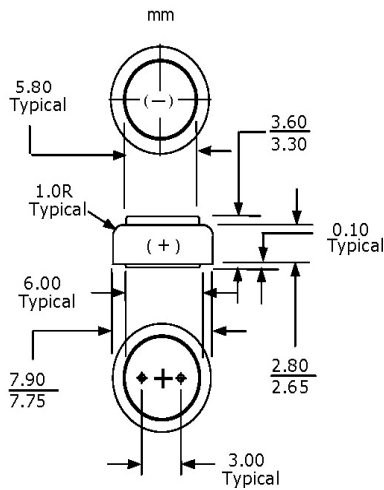
1.4V Zinc Air (Zn/O₂) Battery

Type: A312

SPECIFICATIONS:



Industry Standard Dimensions

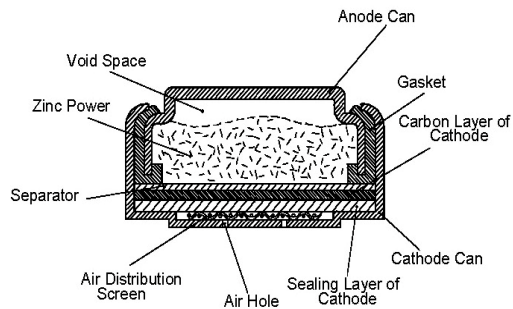


- Chemical System:** Zinc Air (Zn/O₂)
- Identification:** IEC-PR41
- Tab Color:** Brown
- Build Standard:** IEC 60086-1:2000, IEC 60086-2:2000
- Nominal Voltage:** 1.4 Volts
- Capacity:** 180 mAh (to 0.9 volts)
(Rated at 1.5k ohms at 20°C/ 60%RH)
- Available Current:** 10 mA(at 1.1 volts)
- Tab Sealing Arrangements:** On Cathode Can. See picture above.
- Capacity Retention:** > 85%(after 3 years)
- Shelf Life:** 3 years
- Operation Temp:** 0°C to 50°C
- Typical Weight:** 0.48 grams (0.02 oz.)
- Typical Volume:** 0.17 cubic centimeters
(0.010 cubic inch)
- Impedance:** ≤ 5 ohms (at AC 1000Hz)

**DISCHARGE CHARACTERISTICS AT 1500Ω 20°C 60% RH
(Discharged 24 hours/day)**



Construction



Notice:

Environmental elements comply with ROHS requirements. This information is subject to change without prior notice and for reference only. It should not be used as a product guarantee or warranty. For additional information, please contact with Vapex Technology Limited.